



Blastrac bv
 Utrechthaven 12
 3433 PN Nieuwegein
 Netherlands
 +31(0)30-6018866
 +31(0)30-6018333

Project description 1-15 DS Dual Voltage

Drawing number PJ11.1065.14
 Blastrac number E6540/ULCSA



Power supply 480Y/277V or 240V
 Input lead
 Control Voltage 230Vac/24Vdc

Year of Manufacturing 2011

Remarks As Built

Note: Production check Parts for Aproval Label

PROJECT STATE		
STATUS	DATE	INITIALS
Preliminary	25-2-2011	HvdB
Checked		
For Approval		
Approved		
Release for Production		
As Built after FAT		
As Built after SAT		

Created on 25-2-2011 by HvdB
 Edit date 18-11-2016 by KR

Number of pages 18

Modification	Date	Name	Last print
	20-12-2016		
	20-12-2016		

Project name:
1-15DS DUAL VOLTAGE ULCSA
 E6540/ULCSA



Page description:
 Titelblad / voorblad

Customer: **Blastrac bv.**
 Drawing number: **PJ11.1065.14**

Table of contents

Page	Page description	Revision	Date	Edited by
1	Titelblad / voorblad		20-12-2016	
2	Table of contents		20-12-2016	
2.a	Revision sheet		17-11-2016	
3	Legend		27-10-2016	
4	Symbol library		17-11-2016	
5	Panel Layout		27-10-2016	
6	Cableset		27-10-2016	
10	Main-Voltage		18-11-2016	
11	Main-Voltage		17-11-2016	
12	Main-Voltage		27-10-2016	
13	Control-Voltage		27-10-2016	
14	Control-Voltage		27-10-2016	
20	Klemmenaansluitlijst X0		17-11-2016	
21	Klemmenaansluitlijst X1		17-11-2016	
22	Klemmenaansluitlijst X2		17-11-2016	
30	Partlist		20-12-2016	
31	Partlist		20-12-2016	
32	Partlist		20-12-2016	

Modification	Date	Name	Last print	20-12-2016

Project name:	
1-15DS DUAL VOLTAGE ULCSA	
E6540/ULCSA	



Page description:	Table of contents
-------------------	-------------------

Customer:	Blastrac bv.
Drawing number:	PJ11.1065.14

	=
	+
Page	2

© ART4 Technical Systems, Soest NL

Revision	Date	Description	Remark	Editor
01	01-04-2011	As built	Engeneering ART4	HvdB
02	19-05-2011	Cable gland added for earth connection to frame	Engeneering ART4	HvdB
03	28-06-2011	Lay-out changed and wire dimmensions added	Engeneering ART4	HvdB
04	31-08-2011	Small changes according remarks Blastrac OKC (see visit rapport)	Engeneering ART4	HvdB
05	12-09-2011	Numbers 11F3, 11F1 and text drive motor and steering unit changed places	Engeneering ART4	HvdB
06	02-01-2012	Dip switch settings changed High voltage softstarter and CSA logo added	Engeneering ART4	HvdB
07	31-01-2012	Parametersettings lenze drive changed acc rmarks RK Blastrac	Engeneering ART4	HvdB
08	27-03-2012	Cable to motor changed in length	Engeneering ART4	HvdB
09	17-08-2012	Remark added for production acc CSA surveyor remark	Engeneering ART4	HvdB
10	08-10-2013	Blastrac number changed for current transformer	Engeneering ART4	HvdB
11	30-06-2014	Partlist updated	Engeneering ART4	PH
12	05-11-2014	Partlist updated	Engeneering ART4	KG
13	26-10-2016	Motor current updated	Engeneering ART4	HvdB
14	17-11-2016	Voltage control relais 10K1 changed	Engeneering ART4	KR

WIRE COLOR

Main Voltage

<u>Phase</u>	<u>Colors</u>
L1	- Black
L2	- Black
L3	- Black
Earth / PE	- Yellow/Green

Control Voltage (AC)

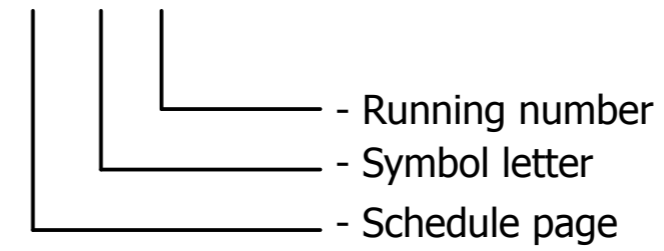
Phase	- Red
Hook-up wire	- Red
Zero	- Red

Control Voltage (DC)

(+)	- Dark Blue
Hook-up wire	- Dark Blue
(-)	- White/Blue

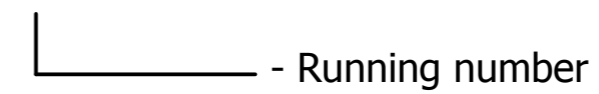
SYMBOL CODE

11 F 11



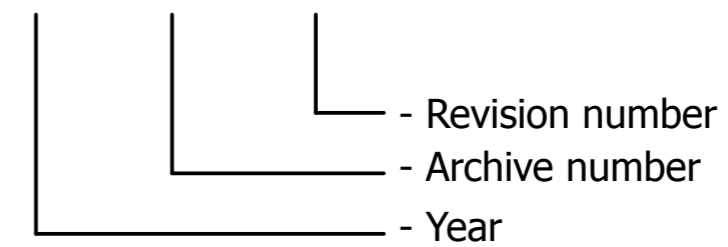
CORE CODE

11 11



DRAWING NUMBER

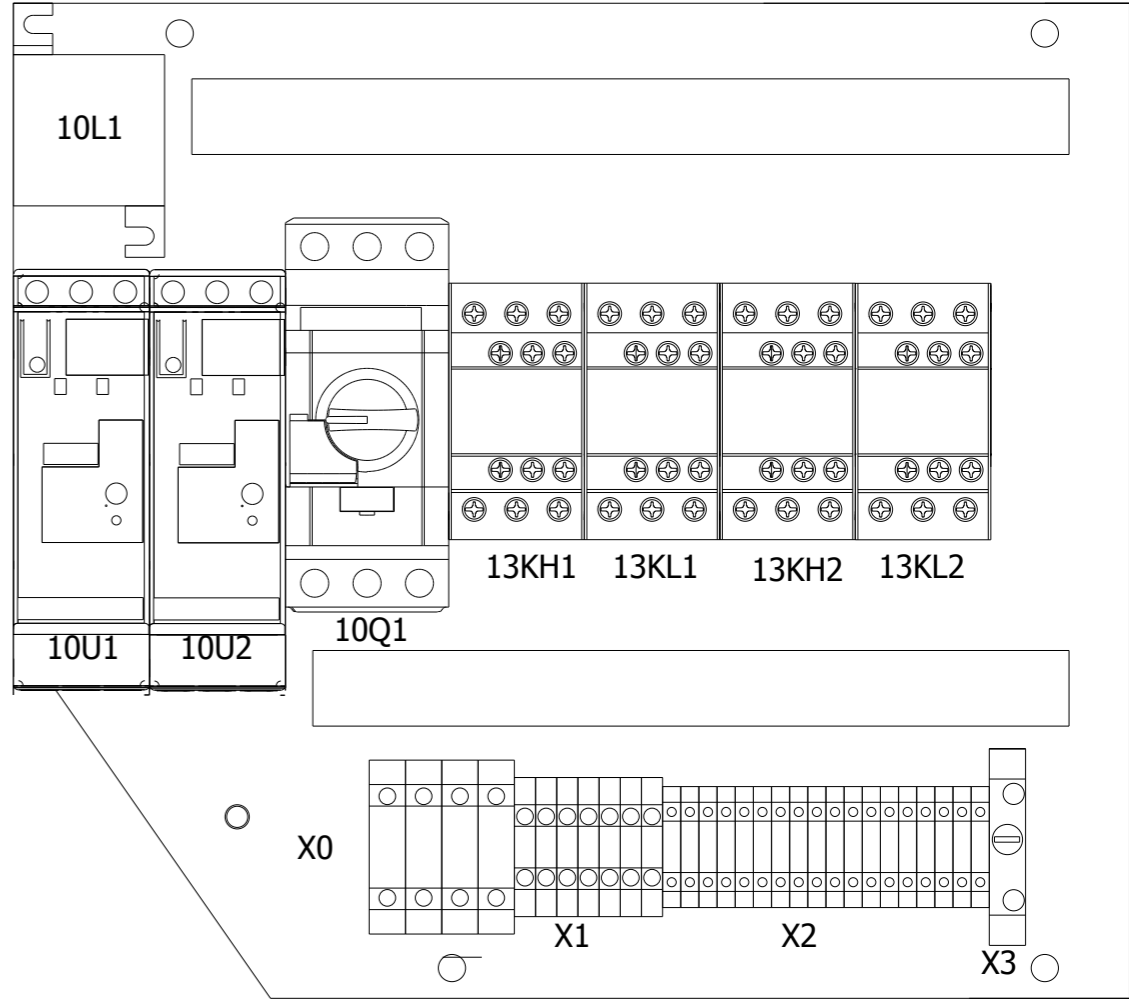
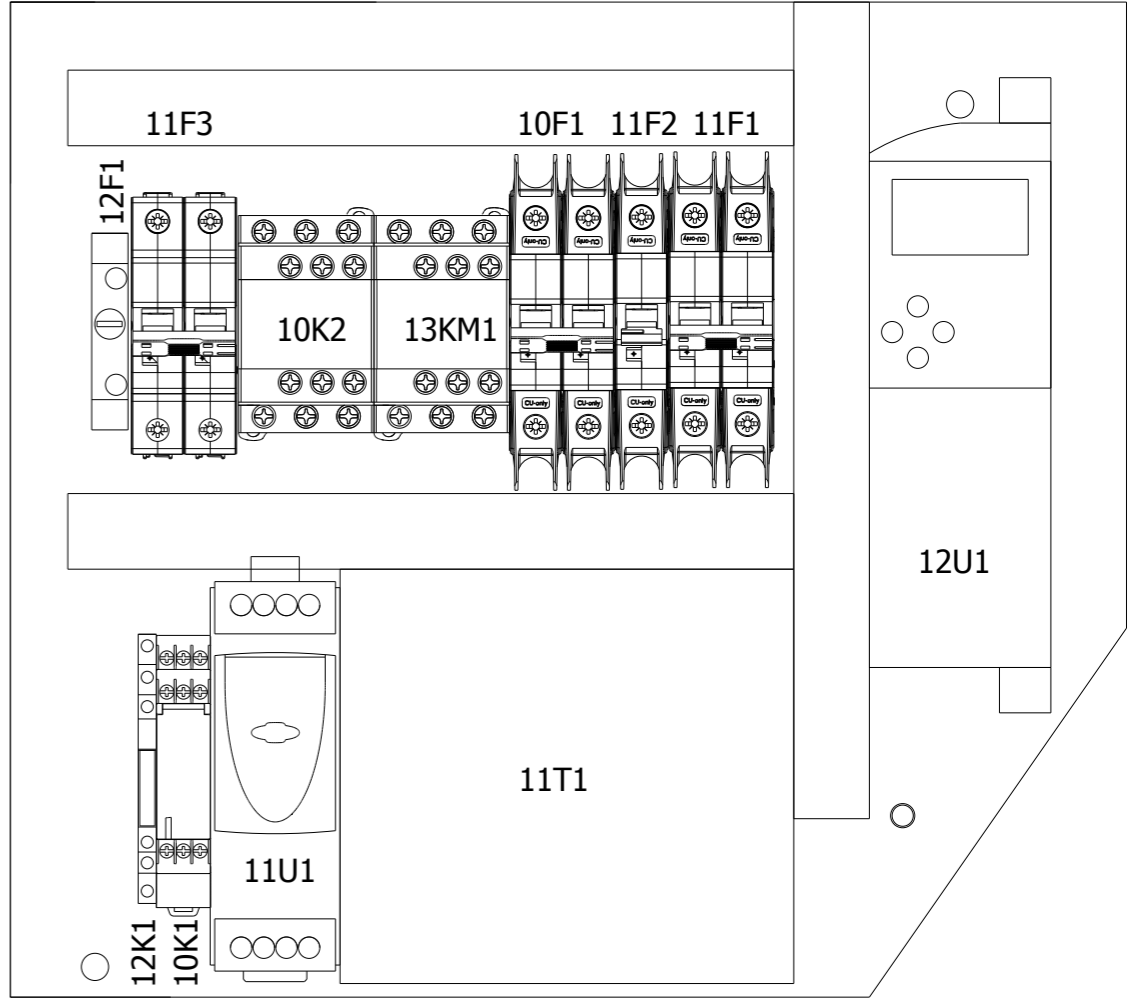
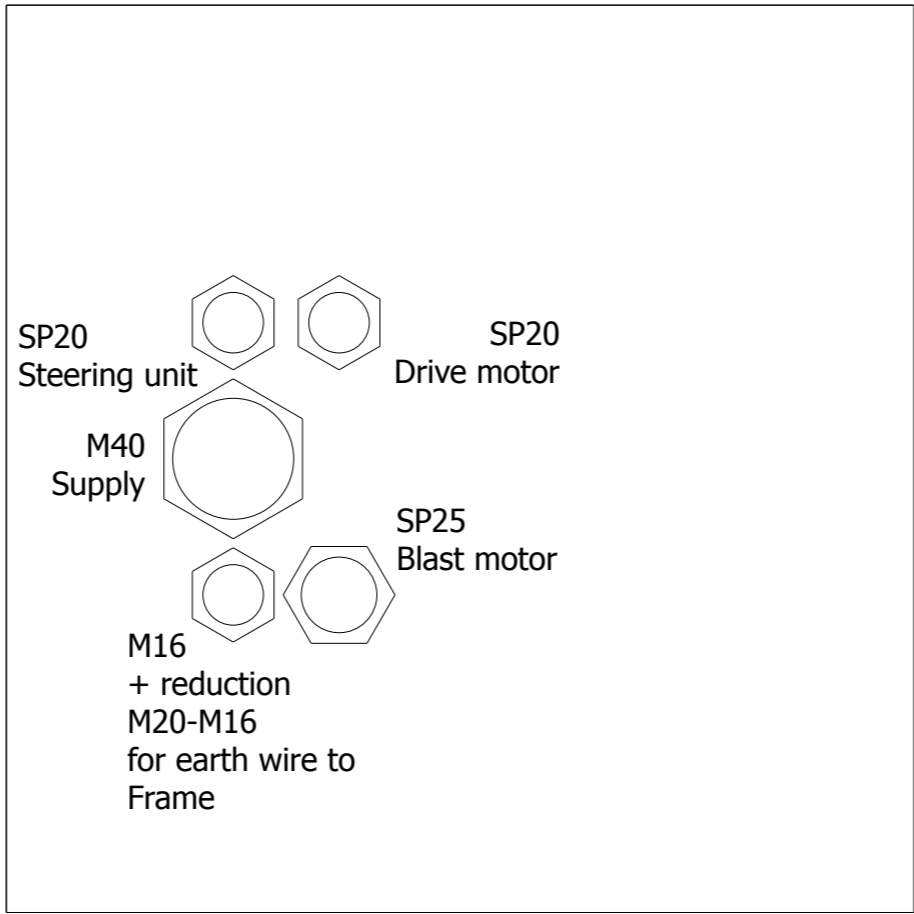
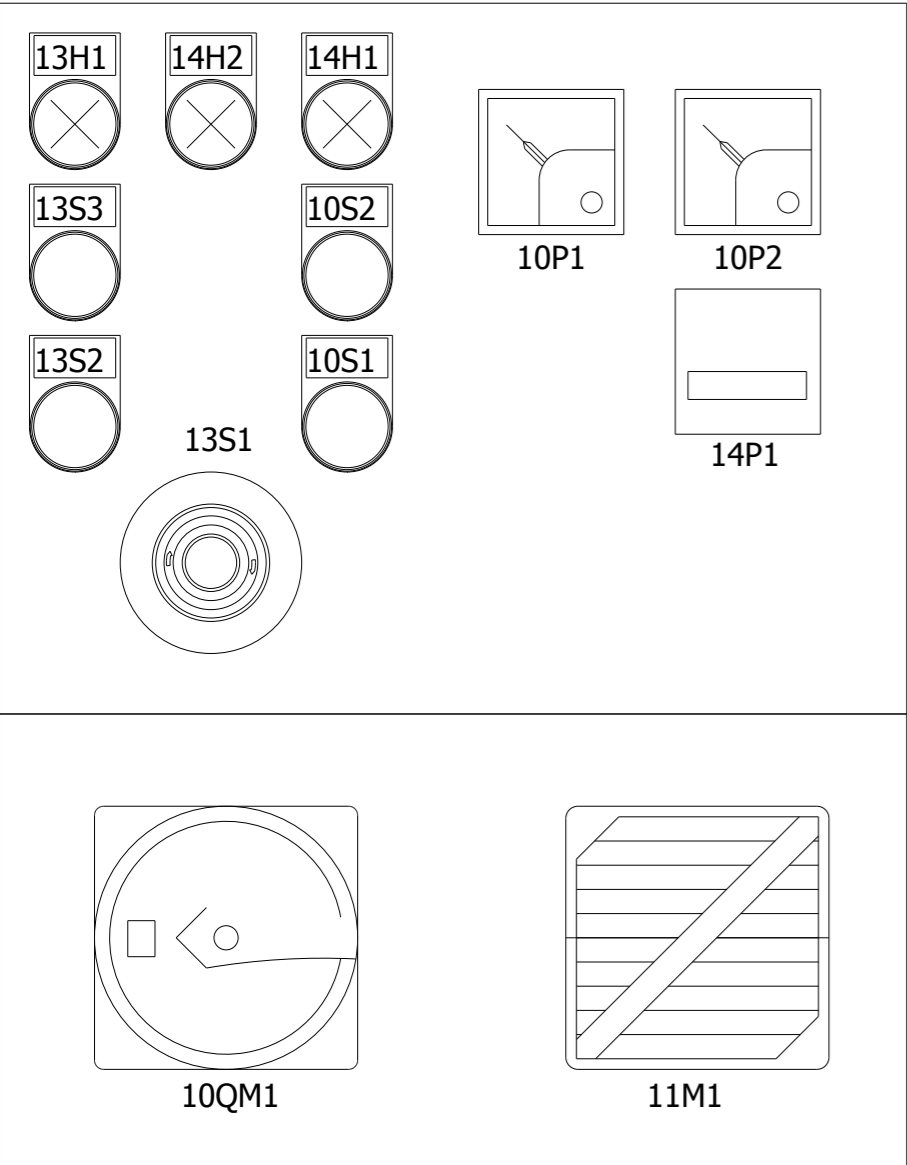
PJ##.####.##



	auxiliary contact	hulpcontact		signal light	signaallamp		Safety fuse	smeltveiligheid
	Power contact	vermogenscontact		horn	hoorn		Fused switch, three-pole	schakelbare scheid
	NO contact, opens with time delay	maakcontact, vertraagd open		amp. meter	amperemeter		Fused disconnect, three-pole	scheid "klapbak"
	NO contact, closes with time delay	maakcontact, vertraagd sluitend		running hour counter	urenteller		Main switch	hoofdschakelaar
	NC contact, opens with time delay	verbreekcontact, vertraagd open		transformer	transformator		Circuit breaker, single-pole	installatieautomaat 1-polig
	NC contact, closes with time delay	verbreekcontact, vertraagd sluitend		Contactor coil relay coil	spoel		Circuit breaker, two-pole	installatieautomaat 2-polig
	Pushbutton rebound	drukknop terugverend		Contactor/relay coil, with pick-up delay	Spoel met opkomvertraging		Circuit breaker, three-pole	installatieautomaat 3-polig
	Pushbutton locking	drukknop blijvend		Contactor/relay coil, with drop-out delay	spoel met afvalvertraging		Power circuit breaker motor overload switch with switch mechanism	motorbeveiligingsschakelaar
	Rotary switch rebound	tip draaischakelaar		Contactor pulse coil relay pulse coil,	spoel puls		Valve	elektrisch bediende klep
	Rotary switch locking	draaischakelaar		Tube light	TL verlichting		Resistor with movable contact	regelbare weerstand
	Emergency stop rotary unlock	noodstop met draaibare vrijgave		Resistor / Heating	weerstand verwarming		Terminal	rijgklem
	Thermostatic switch	thermostaat hygrostaat		Socket	wandcontactdoos		Terminal with fuse	rijgklem met zekering
	Pressure switch	drukschakelaar		Current transformer	stroomtransformator		Rectifier	gelijkrichter
	Limit switch	eindschakelaar						
	Proximity switch	naderingsschakelaar						

Date	17-11-2016	Project name: 1-15DS DUAL VOLTAGE ULCSA E6540/ULCSA		Page description: Symbol library	Customer:	Blastrac bv.	=
Ed.	KR					+	
Appr					Drawing number:	PJ11.1065.14	Page
Modification	Date	Name	Last print	20-12-2016			

CAB



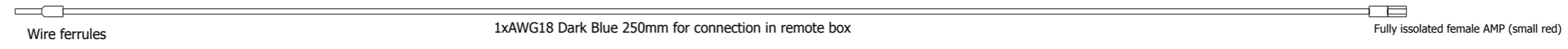
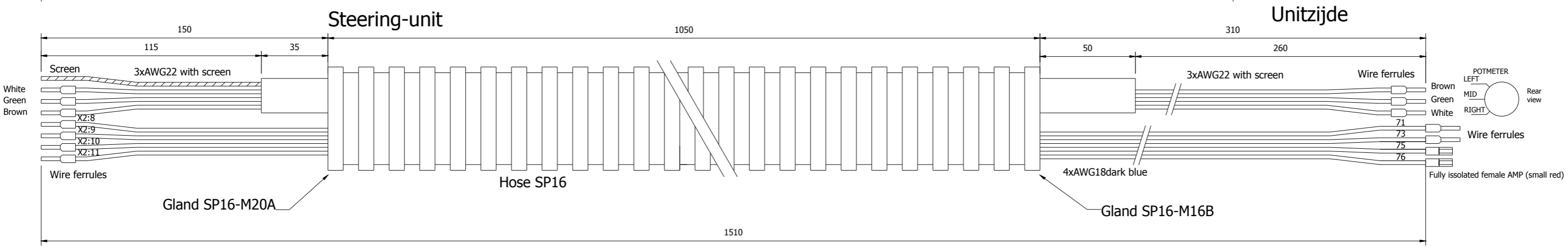
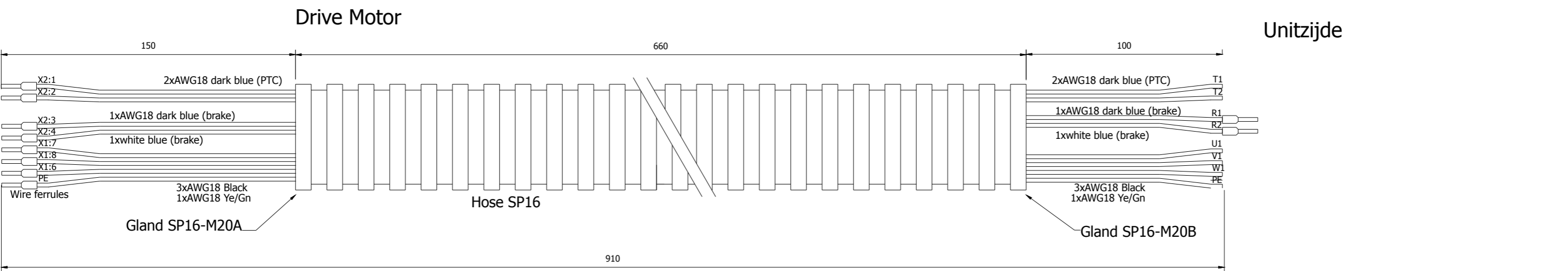
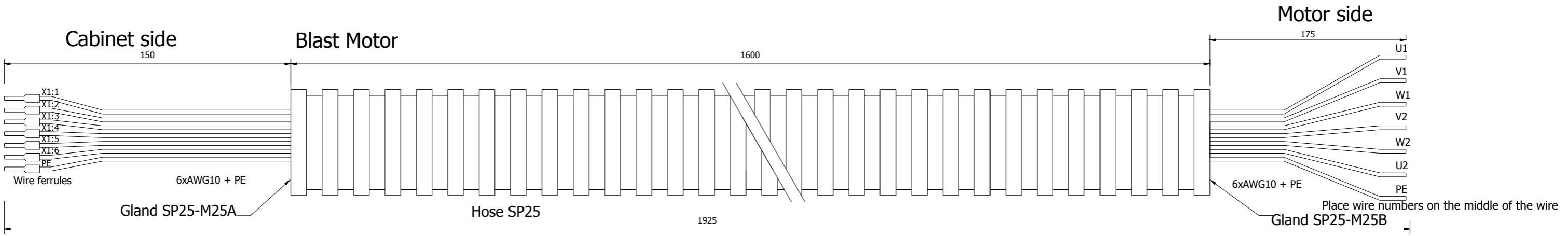
Modification	Date	Name	Last print
	27-10-2016		20-12-2016

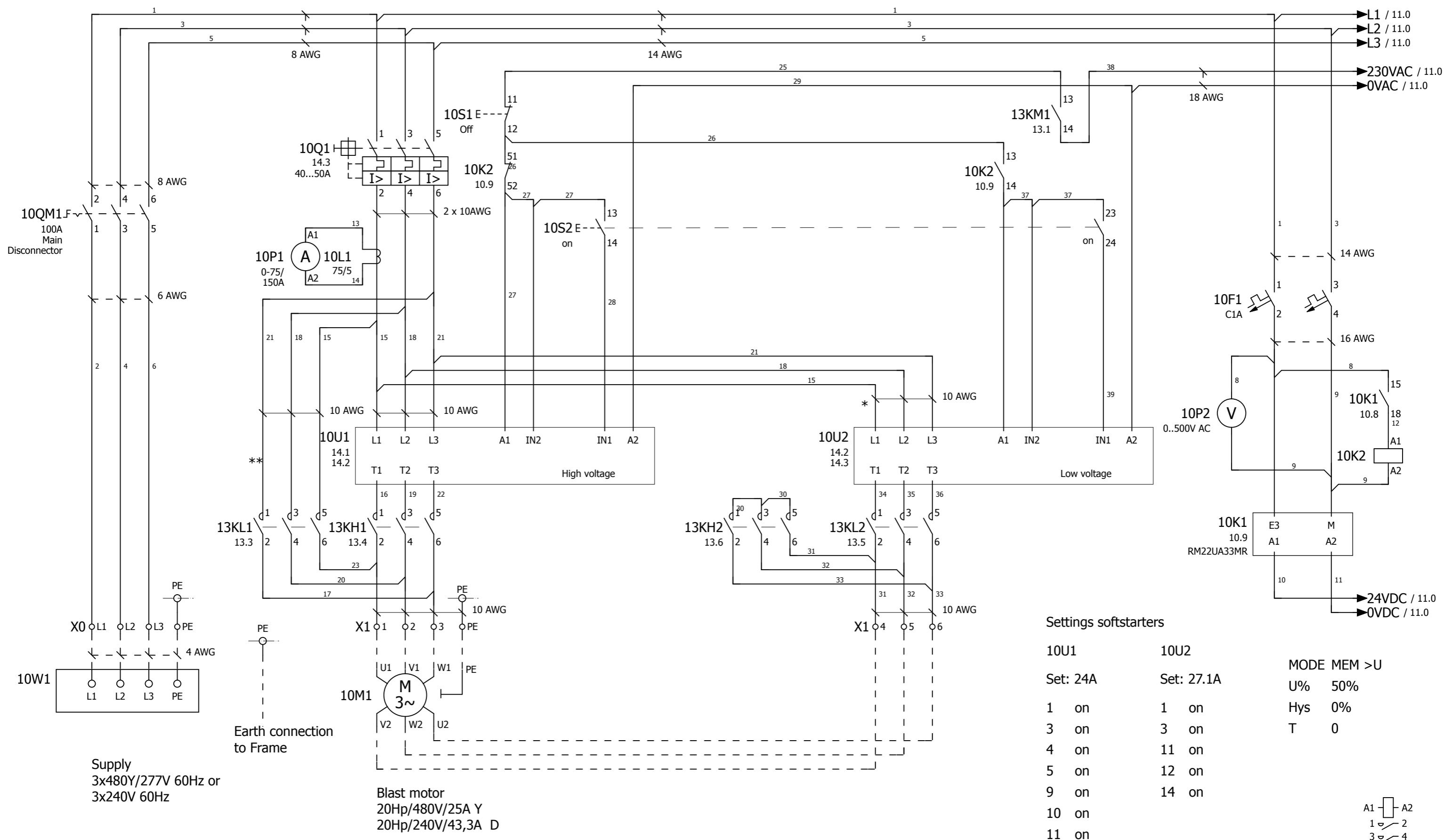
Project name:
1-15DS DUAL VOLTAGE ULCSA
 E6540/ULCSA



Page description:
Panel Layout

Customer:
Blastrac bv.
 Drawing number:
PJ11.1065.14



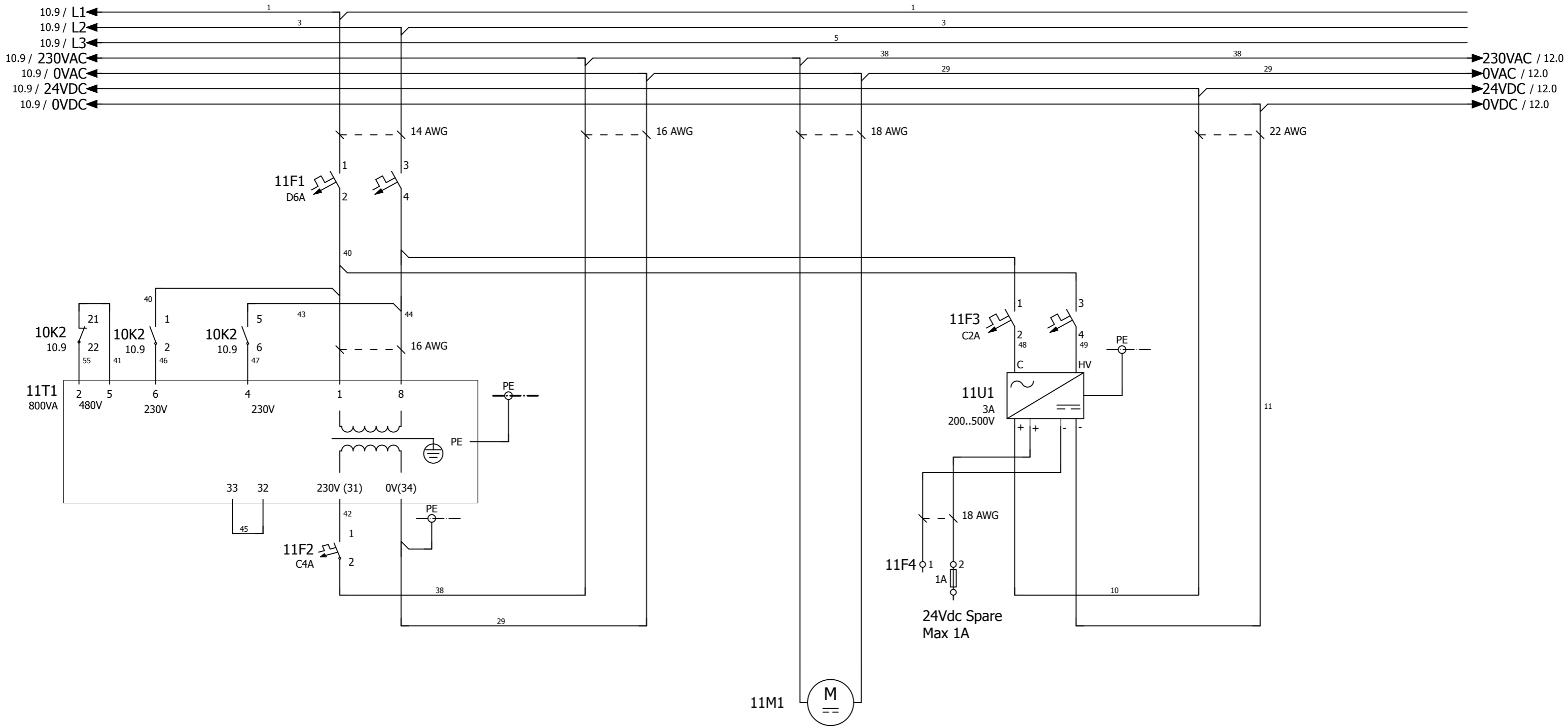


Settings softstarters

10U1	10U2	MODE MEM >U
Set: 24A	Set: 27.1A	U% 50%
1 on	1 on	Hys 0%
3 on	3 on	T 0
4 on	11 on	
5 on	12 on	
9 on	14 on	
10 on		
11 on		
12 on		
14 on		
15 on		

A1	A2
1	2
3	4
5	6
13	14 10.6
21	22 11.0
51	52 10.3
61	62 13.4
1	2 11.1
3	4 13.3
5	6 11.1

* = Wiring from 10U1 to 10U2
 ** = Wiring from 10Q1 to 13KL1



Date	17-11-2016
Ed.	KR
Appr	
Last print	20-12-2016

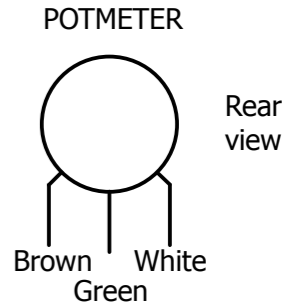
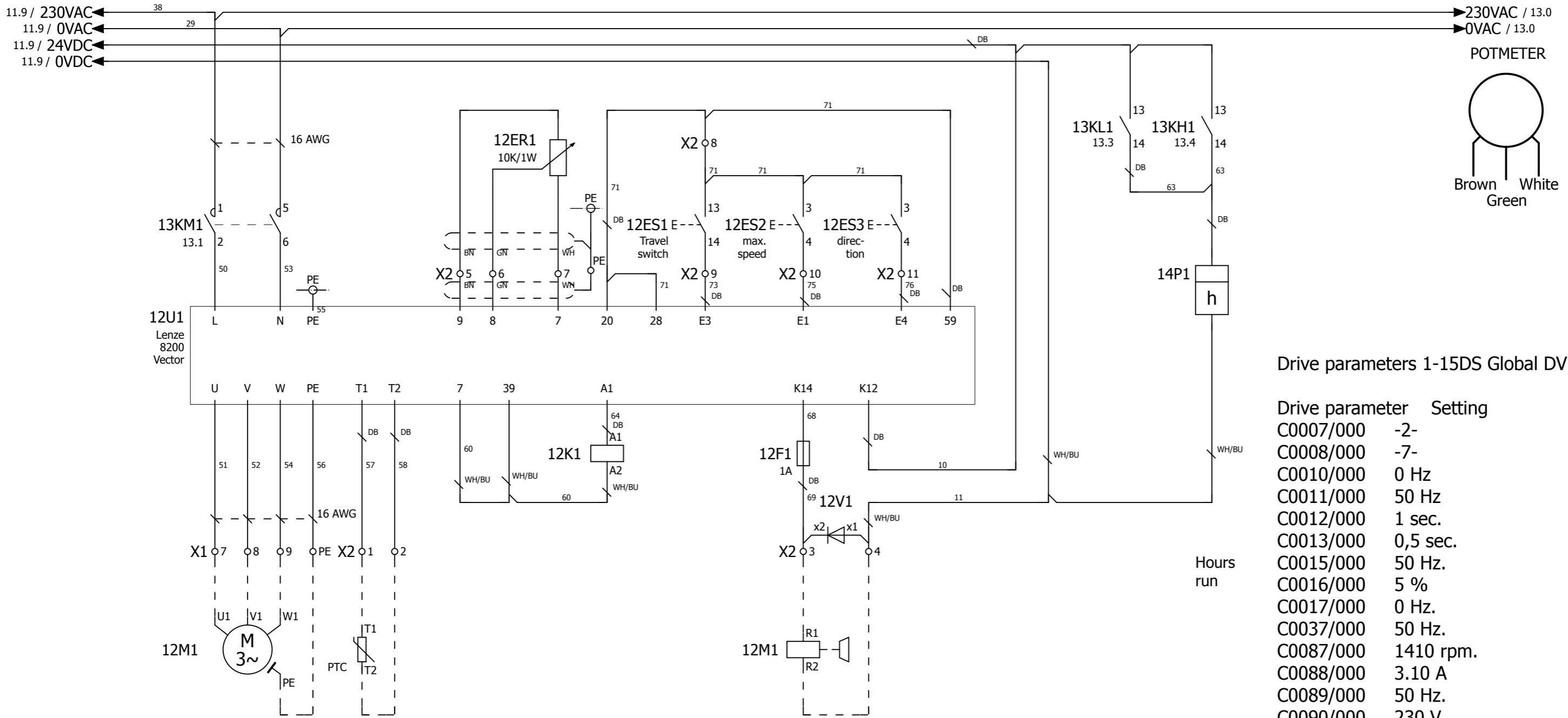
Project name:	1-15DS DUAL VOLTAGE ULCSA
	E6540/ULCSA



Page description:	Main-Voltage
-------------------	--------------

Customer:	Blastrac bv.
Drawing number:	PJ11.1065.14

Page	11
------	----



Drive parameters 1-15DS Global DV

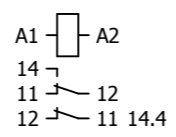
Drive parameter	Setting
C0007/000	-2-
C0008/000	-7-
C0010/000	0 Hz
C0011/000	50 Hz
C0012/000	1 sec.
C0013/000	0,5 sec.
C0015/000	50 Hz.
C0016/000	5 %
C0017/000	0 Hz.
C0037/000	50 Hz.
C0087/000	1410 rpm.
C0088/000	3.10 A
C0089/000	50 Hz.
C0090/000	230 V
C0091/000	0.8
C0105/000	0.9 sec.
C0119/000	-1-
C0142/000	-3-
C0148/000	-1- (*)
C0410/001	-1-
C0415/001	-6-
C0415/002	-25-
C0416/000	-2-
C0417/001	-1-

Drivemotor
 1 Hp/480V/1,9A
 1 Hp/277V/3,3A
 Incl.
 Thermistor

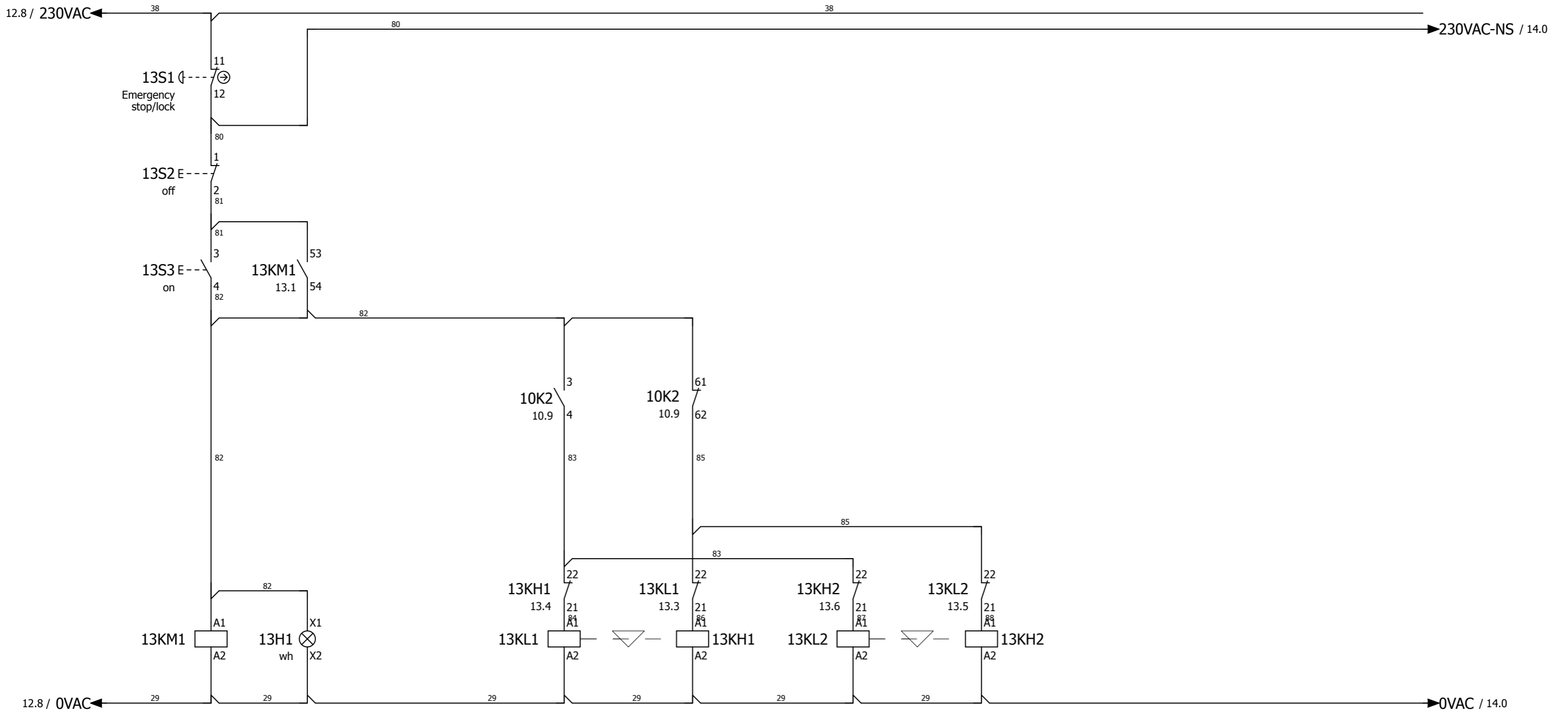
* Connect drivemotor
 in delta

Failure
 drive

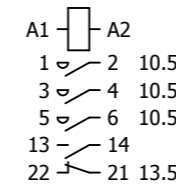
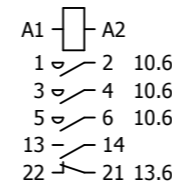
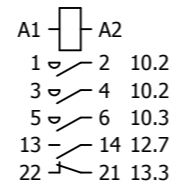
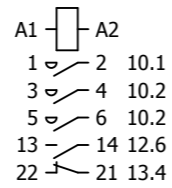
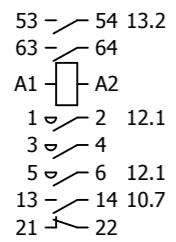
Brake
 24Vdc



(*) Motor identification will be 0 after applying



Control
voltage
on



Date	27-10-2016
Ed.	HvdB
Appr	
Last print	20-12-2016
Modification	Date
Name	

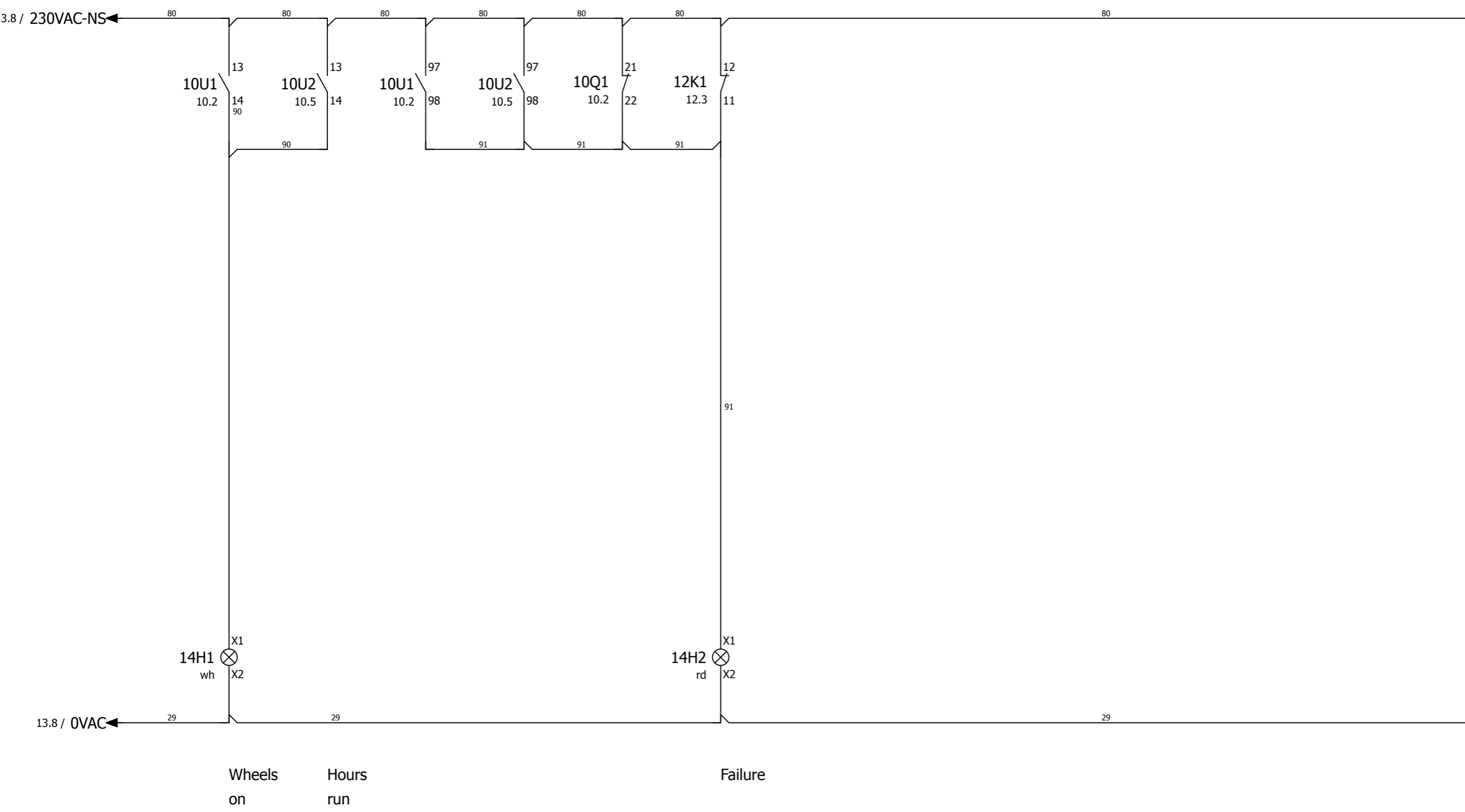
Project name:	1-15DS DUAL VOLTAGE ULCSA
	E6540/ULCSA



Page description:	Control-Voltage
-------------------	-----------------

Customer:	Blastrac bv.
Drawing number:	PJ11.1065.14

=	
+	
Page	13



Modification	Date	Name	Last print	20-12-2016
--------------	------	------	------------	------------

Date	27-10-2016
Ed.	HvdB
Appr	
Project name: 1-15DS DUAL VOLTAGE ULCSA E6540/ULCSA	



Page description:	Control-Voltage
-------------------	-----------------

Customer:	Blastrac bv.
Drawing number:	PJ11.1065.14

=
+
Page 14

Terminal diagram

Function text	Cable name	Strip X0					Cable name	Cable type	Page / column
		Target designation	Connection point	Terminal	Jumper	Target designation			
Supply 3x480Y/277V 60Hz or 3x240V 60Hz		10QM1	1	L1	.	10W1	L1	10.0	
=		10QM1	3	L2	.	10W1	L2	10.0	
=		10QM1	5	L3	.	10W1	L3	10.1	
=		PE	PE	PE	.	10W1	PE	10.1	

Modification	Date	Name	Last print
	17-11-2016		20-12-2016

Project name:
1-15DS DUAL VOLTAGE ULCSA
 E6540/ULCSA



Page description:
 Klemmenaansluitlijst X0

Customer:
Blastrac bv.
 Drawing number:
PJ11.1065.14

Terminal diagram

F13_001

Function text	Cable name	Cable type	Strip X1					Cable name	Cable type	Page / column
			Target designation	Connection point	Terminal	Jumper	Target designation			
Blast motor 20Hp/480V/25A Y 20Hp/240V/43,3A D			13KH1	2	1		10M1	U1	10.2	
=			13KH1	4	2		10M1	V1	10.2	
=			13KH1	6	3		10M1	W1	10.3	
=			13KL2	2	4		10M1	V2	10.6	
			13KH2	6						
Blast motor 20Hp/480V/25A Y 20Hp/240V/43,3A D			13KL2	4	5		10M1	W2	10.6	
			13KH2	4						
Blast motor 20Hp/480V/25A Y 20Hp/240V/43,3A D			13KL2	6	6		10M1	U2	10.6	
			13KH2	2						
Blast motor 20Hp/480V/25A Y 20Hp/240V/43,3A D			PE		PE	.	10M1	PE	10.3	
Drive motor			12U1	U	7	.	12M1	U1	12.1	
Drivemotor 1 Hp/480V/1,9A 1 Hp/277V/3,3A Incl. Thermistor			12U1	V	8	.	12M1	V1	12.1	
=			12U1	W	9	.	12M1	W1	12.1	
=			12U1	PE	PE	.	12M1	PE	12.2	

Terminal diagram

F13_001

Function text	Cable name							Strip X2							Cable name				Page / column
	Cable type	Target designation	Connection point	Terminal	Jumper	Target designation	Connection point	Cable type	Target designation	Connection point	Terminal	Jumper	Target designation	Connection point					
Thermistor								12U1	T1	1	,	12M1	T1					12.2	
Drivemotor 1 Hp/480V/1,9A 1 Hp/277V/3,3A Incl. Thermistor								12U1	T2	2	,	12M1	T2					12.2	
Brake								12F1		3	,	12M1	R1					12.4	
								12V1	x2										
Brake 24Vdc								11U1	-	4	,	12M1	R2					12.5	
								12V1	x1										
Speed								12U1	9	5	,	12ER1						12.2	
Drivemotor 1 Hp/480V/1,9A 1 Hp/277V/3,3A Incl. Thermistor								12U1	8	6	,	12ER1						12.3	
=								12U1	7	7	,	12ER1						12.3	
Failure drive								12U1	20	8	,	12ES1	13					12.4	
								12U1	59										
Travel switch								12U1	E3	9	,	12ES1	14					12.4	
max. speed								12U1	E1	10	,	12ES2	4					12.4	
direction								12U1	E4	11	,	12ES3	4					12.5	
Drivemotor 1 Hp/480V/1,9A 1 Hp/277V/3,3A Incl. Thermistor										PE		PE						12.3	

21

30

Parts list

device tag	Quantity	designation	Type number	Brand	Blastrac number
CAB	1	1-10/15/20/20D univesel empty	1-10DS EMPTY	Haewa	E00422 / E01654 / E07833
CAB	2	MOUNT.DRAIN WxH 25x80 MM vpp=56	T1-E 25X80 MONT.GOOT	Generic	E07834
CAB	1	M.rail verz.geel,7,5x35MM 2M	TS35 MONT.RAIL SLEUF	Generic	E07835
CAB	2	overdrive-forward zelfkl.60*10 witte pl/zw letter	RESOPAL 2-20DT/1	Generic	E07836
CAB	1	speed control zelfkl.45*10 witte pl/zw letter	RESOPAL 2-20DT/2	Generic	E07837
CAB	1	Bocht 90 M20 inw* M20 uitw	B/PG13/90	Generic	E07838
CAB	2	FITTING @16*M20	SP16/M20/A	Adaptaflex	E07839
CAB	2	FITTING @16*M16 DRAAIBAAR	SP16/M16/B	Adaptaflex	E05178
CAB	1	FITTING @16*M20 DRAAIBAAR	SP16/M20/B	Adaptaflex	E03508
CAB	2	Bescherm slang metaal + pvc 16*13 zwart	SP16/ZWART	Adaptaflex	E00559
CAB	1	FITTING @25*M25 vast	SP25/M25/A	Adaptaflex	E07840
CAB	1	FITTING @25*M25 DRAAIBAAR	SP25/M25/B	Adaptaflex	E07841
CAB	1	Bescherm slang metaal + pvc 25*21.4 zwart	SP25/ZWART	Adaptaflex	E00560
CAB	1	Cable gland plug M20*1.5 brass, nickel-plated	WARTEL BLINDSTOP M20	Jacob	E07842
CAB	1	Cable gland M40*1.5 polyamide 50.640	WARTEL PA M40*1.5	Jacob	E07942
CAB	3	Cable gland nut M20*1.5 brass, nickel-plated	WARTELMOER M20*1.5	Jacob	E00406_1
CAB	1	Cable gland nut M25*1.5 brass, nickel-plated	WARTELMOER M25*1.5	Jacob	E00407_1
CAB	1	Cable gland nut M40*1.5 polyamide 50.240PA	WARTELMOER PA M40*1.	Jacob	E07943
CAB	15	Internal wire black AWG14 2.5mm2 UL-CSA	AWG 14 ZWART	LAPP	E07843
CAB	30	Internal wire red AWG18 1.0mm2 UL-CSA	AWG 18 ROOD	LAPP	E07894
CAB	1	Internal wire black AWG18 1.0mm2 UL-CSA	AWG 18 ZWART	LAPP	E07845
CAB	15	Internal wire red AWG22 0.5mm2 UL-CSA	AWG 22 ROOD	LAPP	E07846
CAB	15	Internal wire darkblue AWG22 0.5mm2 UL-CSA	AWG 22 D BL.	LAPP	E08012
CAB	50	Ferrule 0.5mm2 white insulated	G 488 MONT.ADERHULS	Calpe	E07848
CAB	40	Ferrule 1mm2 red insulated	G 490	Calpe	E07849
CAB	70	Ferrule 2x1mm2 red insulated	G 490-TWIN MONT.A.H.	Calpe	E07850
CAB	50	Ferrule 1,5mm2 black insulated	G 491 MONT.A.H.	Calpe	E07851
CAB	20	Ferrule 2,5mm2 grey insulated	G 492 MONT.ADERHULS	Calpe	E07852
CAB	20	Ferrule 2x2,5mm2 blue insulated	G 492-TWIN MONT.A.H.	Calpe	E07853
CAB	18	Ferrule 4mm2 orange insulated	G 493 MONT.AD.HULS	Calpe	E07854
CAB	6	Ferrule 10mm2 brown insulated	G 495 MONT.ADERH.	Calpe	E07855
CAB	1	1-15DS dual voltage,incl.kleine stickers	STICKER 1-15DS DUAL VOLTAGE	Generic	E07856
CAB	1	Internal wire yellow/green AWG8 10mm2 UL-CSA	AWG 8 GG	LAPP	E07866
CAB	6	Internal wire black AWG8 10mm2 UL-CSA	AWG 8 ZW	LAPP	E07867
CAB	1	Reducer M20*1.5 ext. M16*1.5 int. brass nickel plated	REDUCTIERING M20M16	Jacob	E08095
CAB	1	Cabel gland M16*1.5 (PG9/11) IP68 brass, nickel-plated 50616	WARTEL M16*1.5	Jacob	E00405
CAB	1	Cable gland nut M16*1.5 brass, nickel-plated	WARTELMOER M16*1.5	Jacob	E00405_1
CAB	1	Internal wire white/blue AWG22 0.5mm2 UL-CSA	AWG 22 WH/BL.	LAPP	E08016
12ER1	1	Potm. 10KOhm. 4W-500V	POTMETER 10 K OHM	Generic	454795
12ER1	1	Schroef aansluiting potmeter	POTMETER PRINT KLEM	Wieland	E05088
12ER1	1	Head Ø22 + mounting base for potentiometer	ZB4-BD912	Schneider Electric	E00866/2
12ES1	1	Limit switch XCKP - steel roller plunger - 1NO+1NC - snap -	XCK-P2102P16	Schneider Electric	454796
12ES2	1	White square flush complete pushbutton Ø16 spring return 1NO	XB6-CA11B	Schneider Electric	E00867
12ES3	1	White square flush complete pushbutton Ø16 spring return 1NO	XB6-CA11B	Schneider Electric	E00867
10F1	1	Circuit breaker AB 2P 1A C-kar UL 489 480/277V	C60N-1489-M2C010	Allen Bradley	E07824
11F1	1	Circuit breaker AB 2P 6A D-kar UL 489 480/277V	C60N-1489-M2D060	Allen Bradley	E07816
11F2	1	Circuit breaker AB 1P 4A C-kar UL 489 480/277V	C60N-1489-M1C040	Allen Bradley	E07962
11F3	1	Circuit breaker AB 2P 2A C-kar	C60N-1492-SPM2C020	Allen Bradley	E07904
11F4	1	ZEK.SMELTV. 5*20MM SLOW 1A	ZEK.GLAS TRAAG 1 A	Generic	E07815
11F4	1	Conn. railkl. 4MM2 grijs WK4/U	VU4-4 GRIJS CONN.R.K	Wieland	E07829
11F4	1	ZEK.KLEM 10MM2 GRIJS 5*20MM	VUSI 4-10M C.ZEK.KLM	Wieland	E01321
11F4	1	VOOR VUSI 4-10	VASI 4-10 C.SCHOT	Wieland	E05154
11F4	1	Endbracket V4 small 9708/2S35	EINDSTEUN V4 CON.ACC	Wieland	E07828
12F1	1	ZEK.KLEM 10MM2 GRIJS 5*20MM	VUSI 4-10M C.ZEK.KLM	Wieland	E01321
12F1	1	VOOR VUSI 4-10	VASI 4-10 C.SCHOT	Wieland	E05154
12F1	1	ZEK.SMELTV. 5*20MM SLOW 1A	ZEK.GLAS TRAAG 1 A	Generic	E07815

Date	20-12-2016	Project name: 1-15DS DUAL VOLTAGE ULCSA E6540/ULCSA		Page description: Partlist	Customer:	Blastrac bv.	=
Ed.	HvdB				Drawing number:	PJ11.1065.14	+
Appr						Page	30
Modification	Date	Name	Last print	20-12-2016			

Parts list

device tag	Quantity	designation	Type number	Brand	Blastrac number
13H1	1	tekstpl.houder 27*13 h=45 elfi	F6300	Schneider Electric	E07831
13H1	1	White pilot light head Ø22 plain lens for integral LED	ZB5-AV013	Schneider Electric	333-3227 / 333-3454
13H1	1	White light block with body/fixing collar integral LED 230.2	ZB5-AVM1	Schneider Electric	E05093
14H1	1	tekstpl.houder 27*13 h=45 elfi	F6300	Schneider Electric	E07831
14H1	1	White pilot light head Ø22 plain lens for integral LED	ZB5-AV013	Schneider Electric	333-3227 / 333-3454
14H1	1	White light block with body/fixing collar integral LED 230.2	ZB5-AVM1	Schneider Electric	E05093
14H2	1	tekstpl.houder 27*13 h=45 elfi	F6300	Schneider Electric	E07831
14H2	1	Red pilot light head Ø22 plain lens for integral LED	ZB5-AV043	Schneider Electric	E00360
14H2	1	Red light block with body/fixing collar integral LED 230.240	ZB5-AVM4	Schneider Electric	E07817
10K1	1	VOLTAGE MONITORING 2w30-300/500V 24-240V	RM22UA33MR	Schneider Electric	E10910
10K2	1	Contacteur 4.0kW 400vac 1NO/1NC coil 230Vac	LC1-D09-P7	Schneider Electric	333-3384 / 500-3391-E
10K2	1	Auxiliary contact block - 2 NC - screw-clamps terminals	LAD-N02	Schneider Electric	E07818
12K1	1	Interface relais with socket 1CO 6A 24Vdc	38.51.7.024.0050	Finder	E05007
13KH1	1	Contacteur 15kw 400VAC coil 230VAC 1NO/1NC	LC1-D32-P7	Schneider Electric	E07819
13KH2	1	Contacteur 15kw 400VAC coil 230VAC 1NO/1NC	LC1-D32-P7	Schneider Electric	E07819
13KL1	2	Reversing switch kit	LAD-9R1V	Schneider Electric B.V.	E07820
13KL1	1	Contacteur 15kw 400VAC coil 230VAC 1NO/1NC	LC1-D32-P7	Schneider Electric	E07819
13KL2	1	Contacteur 15kw 400VAC coil 230VAC 1NO/1NC	LC1-D32-P7	Schneider Electric	E07819
13KM1	1	Auxiliary contact block - 2 NO - screw-clamps terminals	LAD-N20	Schneider Electric	500-3394
13KM1	1	Contacteur 4.0kW 400vac 1NO/1NC coil 230Vac	LC1-D09-P7	Schneider Electric	333-3384 / 500-3391-E
10L1	1	Prim. 75/5A 3.75VA/KI.1 UL-CSA	M55E-94A	Crompton	E08266
11M1	1	VENTILATOR80*80*38MM 240VAC	FAN 80*80*38	PABST	E05140
11M1	2	UITL.FILT.MONT.UITSP. 80*80MM	221-336 KAST KL.BEH.	PABST	E00283
11M1	2	Finger Guard 80mm.	250-1612 KAST KL.BEH	PABST	E10802
10P1	1	Amperemeter 75A/5A 48*48 met cornermask E242-75AG	IQ/EQ48 75A/5A	Crompton	E07821
10P1	1	IV48 48*48mm, IP-20	IQ/EQ 48 AFDEKKAP	Crompton	E07822
10P2	1	Voltmeter 500V 48*48 met cornermask E242-75VG Crompton	IQ/EQ48 500V	Crompton	BG007854
14P1	1	Hour counter 48*48mm 10-36VDC UL/CSA	M242-157-G-NR-ZH-DC		E08240
10Q1	1	Motor Circuit Breaker 50Amp 40...50A	SIEM 3RV1031-4HA10	Siemens	E10809
10Q1	1	Auxiliary contact for 3RV10 circuit breaker 1NC+1NO	SIEM 3RV1901-1E	Siemens	E10804
10QM1	1	Hoofdschak. 100A, 3P niet vergrendelbaar	P3-100/E	Kraus Naimer	E07965
10S1	1	Pushbutton head Ø22 spring return without cap	ZB5-AA0	Schneider Electric	E01318
10S1	1	Single contact block with body/fixing collar 1NC screw clamp	ZB5-AZ102	Schneider Electric	E00357
10S1	1	Red cap marked STOP for circular pushbutton Ø22	ZBA-434	Schneider Electric	E01353
10S1	1	tekstpl.houder 27*13 h=45 elfi	F6300	Schneider Electric	E07831
10S2	1	tekstpl.houder 27*13 h=45 elfi	F6300	Schneider Electric	E07831
10S2	1	Pushbutton head Ø22 spring return without cap	ZB5-AA0	Schneider Electric	E01318
10S2	1	Single contact block with body/fixing collar 2NO screw clamp	ZB5-AZ103	Schneider Electric	E08169
10S2	1	Green cap marked START for circular pushbutton Ø22	ZBA-333	Schneider Electric	E05078
13S1	1	Red Ø40 Emergency switching off pushbutton head Ø22 latching	ZB4-BS844	Schneider Electric	E08437
13S1	1	Single contact block with body/fixing collar 1NC screw clamp	ZB4-BZ102	Schneider Electric	B21153
13S1	1	Sticker emergency stop yellow/red	EMERGENCY STOP STICKER	De Vries	E07832
13S2	1	tekstpl.houder 27*13 h=45 elfi	F6300	Schneider Electric	E07831
13S2	1	Pushbutton head Ø22 spring return without cap	ZB5-AA0	Schneider Electric	E01318
13S2	1	Red cap marked STOP for circular pushbutton Ø22	ZBA-434	Schneider Electric	E01353
13S2	1	Single contact block with body/fixing collar 1NC screw clamp	ZB5-AZ102	Schneider Electric	E00357
13S3	1	tekstpl.houder 27*13 h=45 elfi	F6300	Schneider Electric	E07831
13S3	1	Pushbutton head Ø22 spring return without cap	ZB5-AA0	Schneider Electric	E01318
13S3	1	Green cap marked START for circular pushbutton Ø22	ZBA-333	Schneider Electric	E05078
13S3	1	Single contact block with body/fixing collar 1NO screw clamp	ZB5-AZ101	Schneider Electric	333-3224
11T1	1	Transformator 440/230V ac 800VA	SIEM 4AM55 42-8DD40-0FA0	Siemens	E07872
10U1	1	Softst.3-f 30A 200-480V/110-220vac (15kW)	150-C30NBD	Allen Bradley	E07825
10U2	1	Softst.3-f 30A 200-480V/110-220vac (15kW)	150-C30NBD	Allen Bradley	E07825
11U1	1	Power supply 24Vdc 3A 200-520Vac	ABL8-RPS24030	Schneider Electric	E05149 / E05193
12U1	1	E82EV751K2C200 vector/no filte	FREQ.REG 0.75 KW (1FASE)	Lenze	E07826
12U1	1	E82ZBC bed. display	FREQ.REG BED.DISPLAY	Lenze	E00415 / E00464

Date	20-12-2016	Project name:	1-15DS DUAL VOLTAGE ULCSA E6540/ULCSA		Page description:	Partlist	Customer:	Blastrac bv.	=	
Ed.	HvdB						+			
Appr										
Modification	Date	Name	Last print	20-12-2016			Drawing number:	PJ11.1065.14	Page	31

Parts list

device tag	Quantity	designation	Type number	Brand	Blastrac number
12U1	1	E82ZAFS standaard I/O inbouw	FREQ.REG I/O	Lenze	E00482
12V1	1	Diode 1000V 1A	GEN DIODE 1N4007	Generic	E07827
X0	2	Endbracket V4 small 9708/2S35	EINDSTEUN V4 CON.ACC	Wieland	E07828
X0	3	Conn. railkl. 16MM2 grijs	VU5-16 CONN.R.KLEM	Wieland	E05190
X0	1	Conn.aardkl.,16MM2, ge/gr	VIJPE-5-16 CONN.A.KL.	Wieland	E05191
X1	3	Conn. railkl. 4MM2 grijs WK4/U	VU4-4 GRIJS CONN.R.K	Wieland	E07829
X1	6	Conn.railkl. 6MM2 grijs	VU4-6 CONN.RAILKL.	Wieland	E01331
X1	1	Aardkl. 4MM2 ge/gr WK4SL/u	VIJPE 4-4 CONN.AARDKL	Wieland	E01197
X1	1	Conn.aardkl. 6MM2 GE/GN wk6sl/u	VIJPE 4-6 CONN.AARDKL	Wieland	E01329
X2	11	Conn. railkl. 4MM2 grijs WK4/U	VU4-4 GRIJS CONN.R.K	Wieland	E07829
X2	3	Aardkl. 4MM2 ge/gr WK4SL/u	VIJPE 4-4 CONN.AARDKL	Wieland	E01197